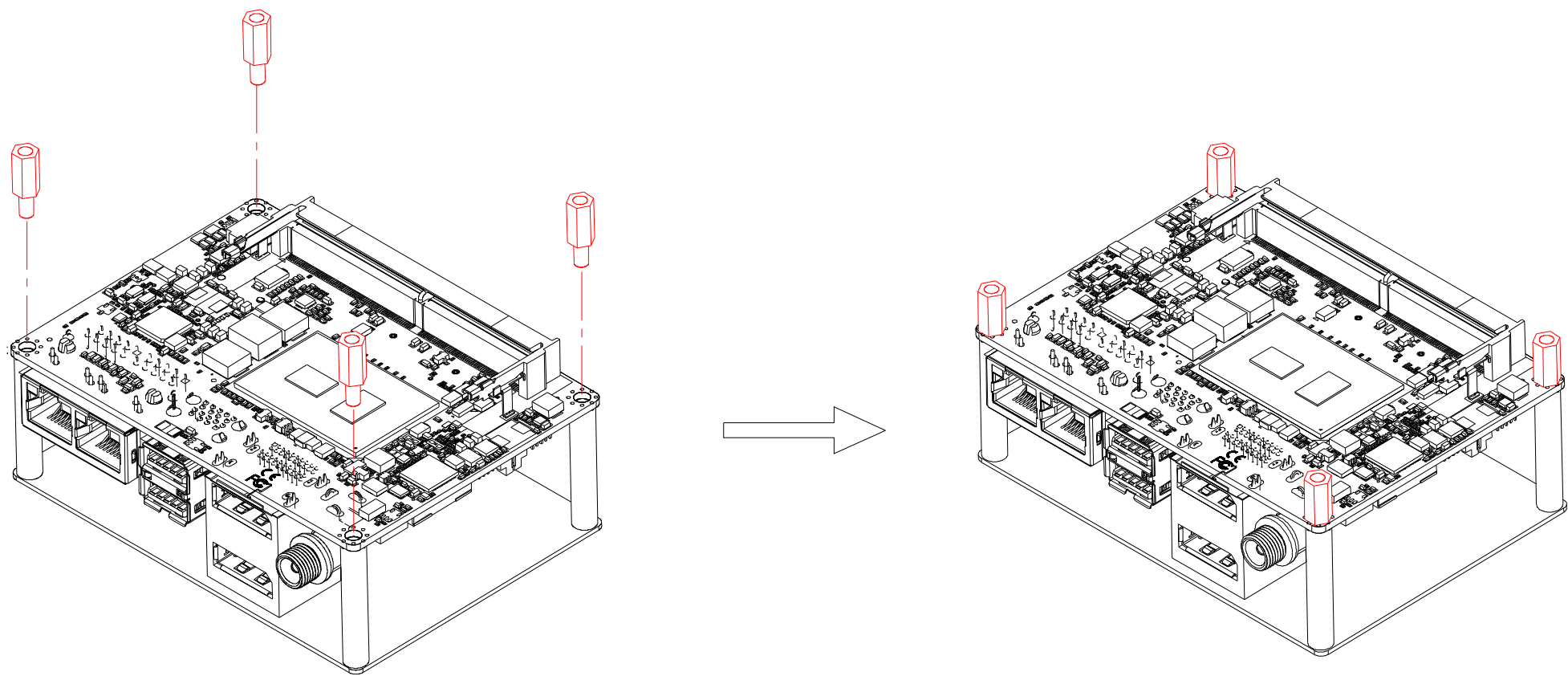
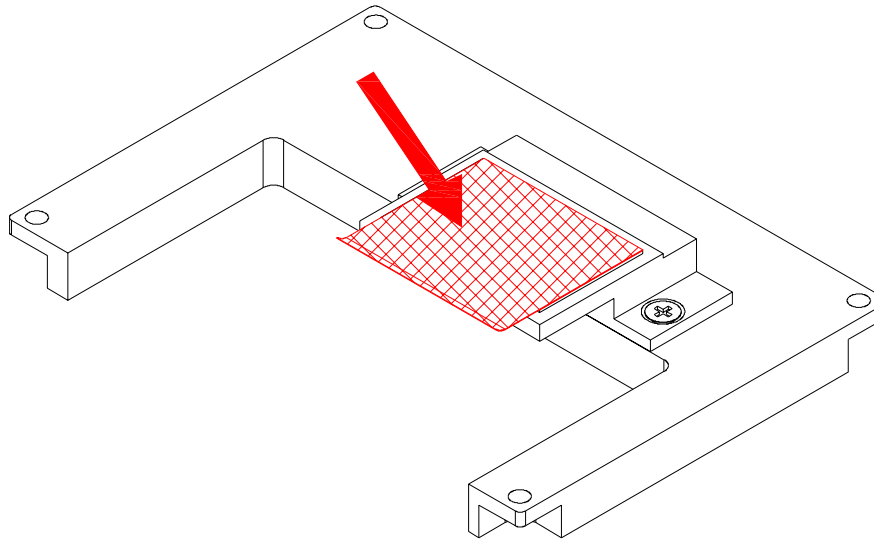


1. Assemble the mainboard with M3\*10L(\*4pcs) copper studs.



**2. Remove the releasing paper from the thermal pad before assemble the heatspreader to the mainboard.**



3. Use M3\*6L(\*4pcs) screws to assemble the heatspreader to the mainboard.

